

**EKFA**

**Feet kit for vertical wall mounted installation**

**⚠** This instruction is an integral part of the booklet of the appliance on which the kit is installed. Please consult this booklet for general warnings and fundamental safety rules.

This accessory covers the hydraulic pipes coming up through the floor. They should be fitted on FWXVseries anchored to the back wall.

They have a sleek design and are also easy to remove for maintenance or cleaning.

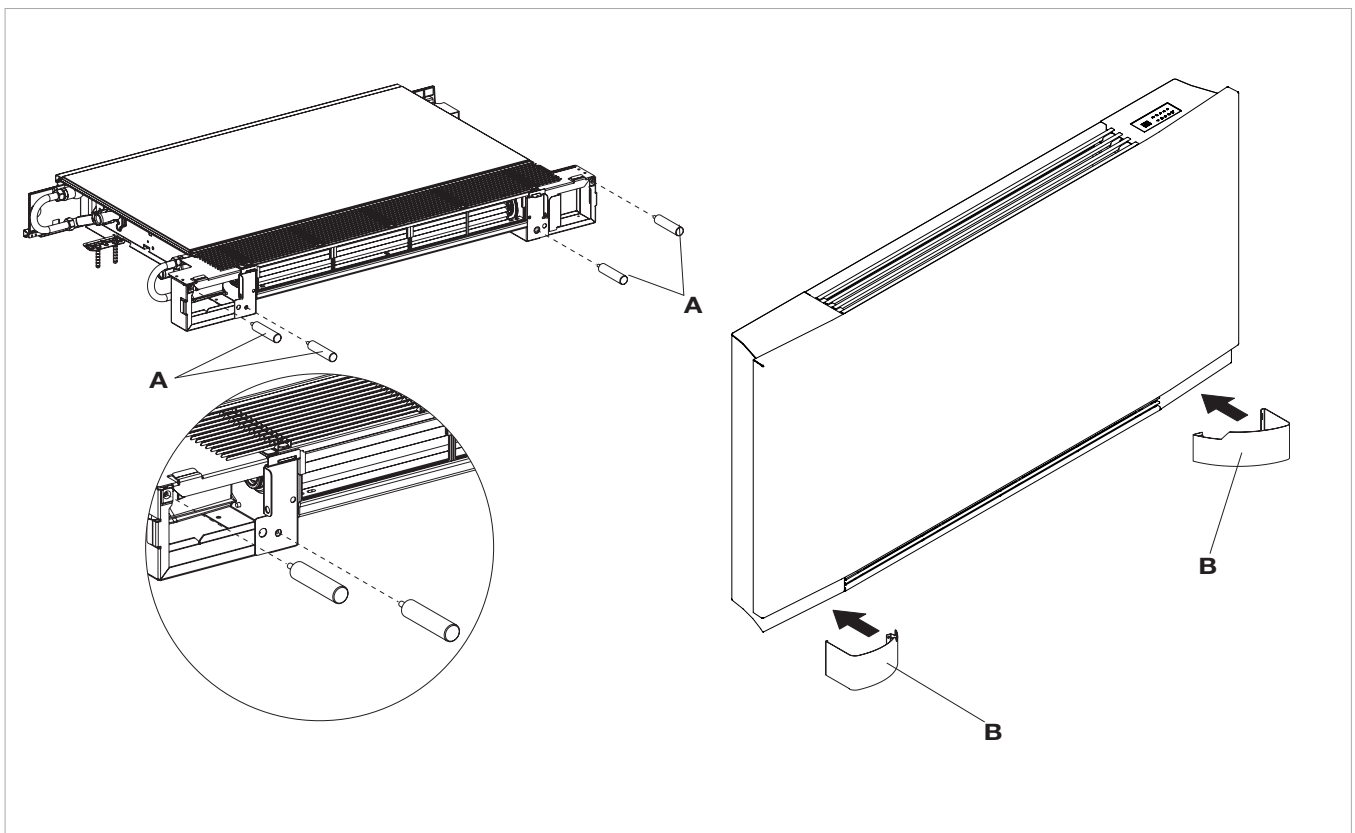
These Feet should not be used to anchor the terminal to the ground; EKFA is not designed for this purpose.

EKFA Feet RAL 9010 white.

To mount the aesthetic feet kit:

- Rest the back of the appliance on a horizontal surface;
- screw the four threaded supports provided to the structure;
- stand the appliance up again and fasten it to the wall;
- fit the two covers to the supports.

<b>A</b>	threaded supports
<b>B</b>	supports cover



The technical data and aesthetic features of the product can be modified and Daikin Europe NV reserves the right to modify them without notice at any time.